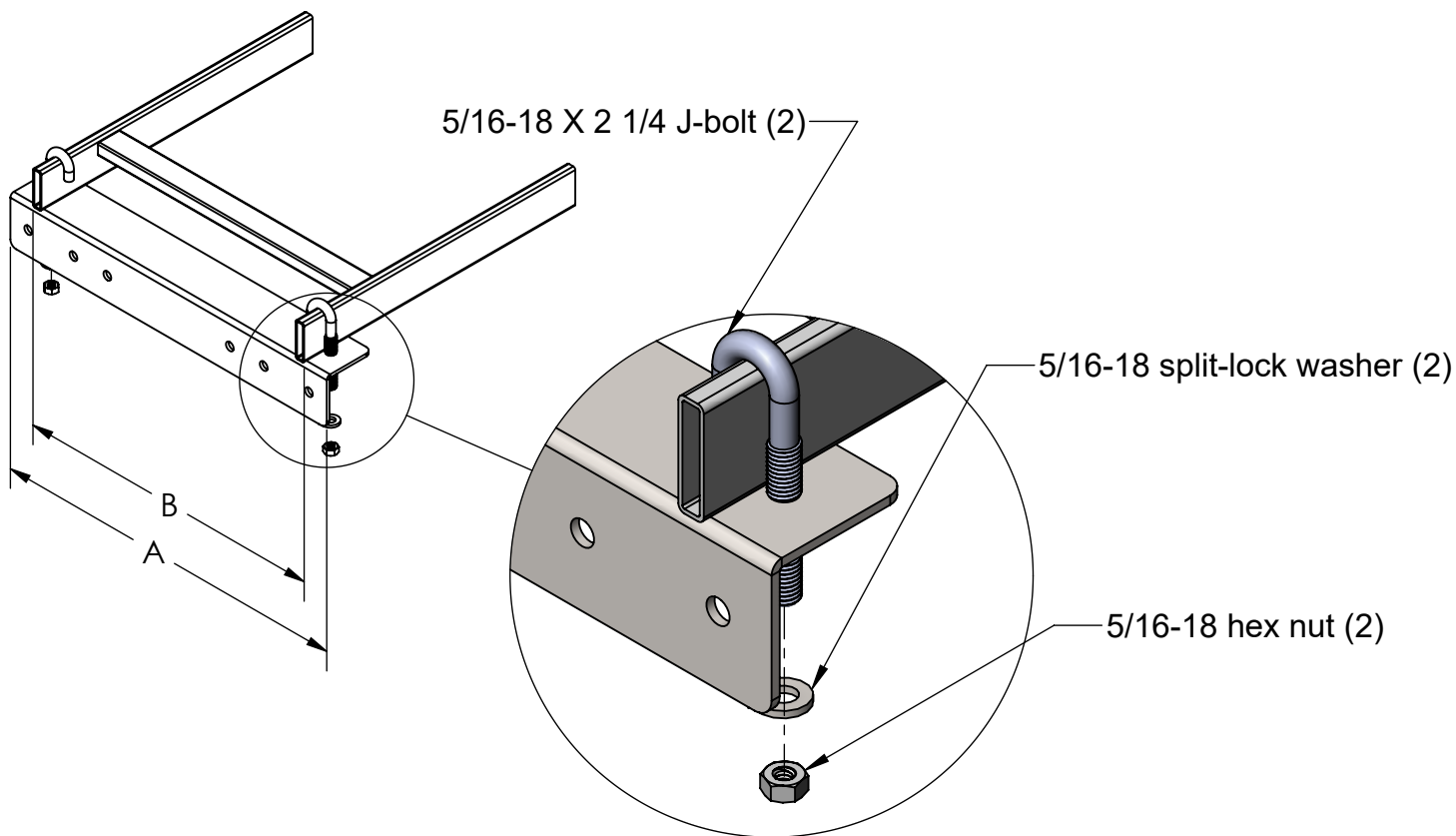


PRODUCT INFORMATION SHEET

WALL ANGLE SUPPORT BRACKET

The wall angle support bracket provides perpendicular wall support for cable ladder runway

1. Constructed of high strength steel
2. Components are RoHS compliant
3. Conforms to EIA-310 Standard
4. Each support consists of a wall angle, J-bolt, and 5/16" hardware
5. Available in black and white colors (custom colors available through special order)
6. Stock widths of 12"



Part Number

WL-WASB12-BK