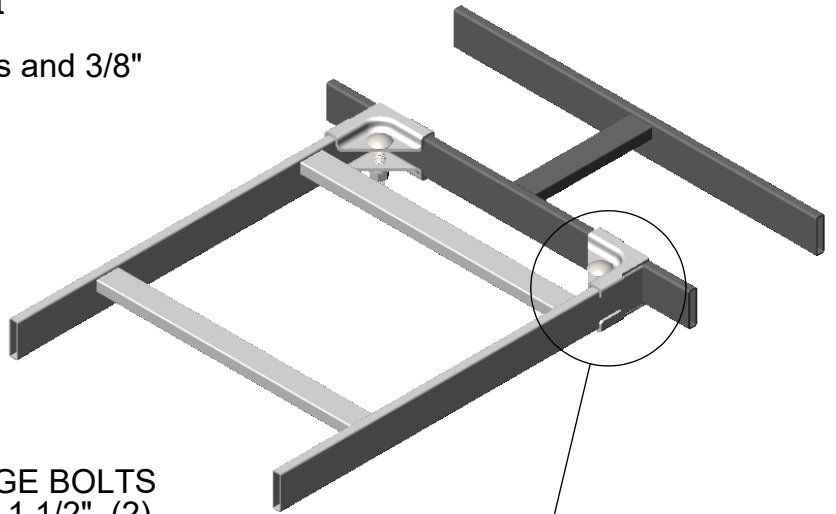


# PRODUCT INFORMATION SHEET

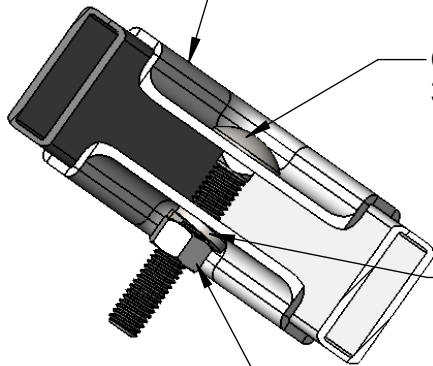
## T-JUNCTION BRACKET KIT

The T junction bracket kit is used to secure cable ladder runway sections together at a 90 degree intersection.

- Constructed of high strength steel
- Components are RoHS compliant
- Conforms to EIA-310 Standard
- Each kit consists of corner clamps and 3/8" hardware
- Available in black



CORNER CLAMP BRACKETS (4)

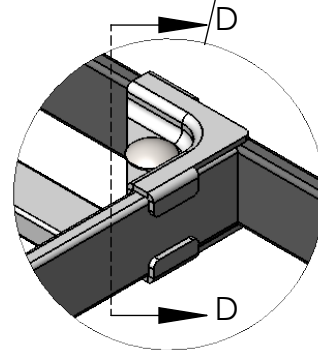


CARRIAGE BOLTS  
3/8"-16 x 1 1/2" (2)

3/8" SPLIT-LOCK  
WASHERS (2)

3/8" HEX NUTS (2)

SECTION D-D



**Part Number**

WL-RA2JT-BK