

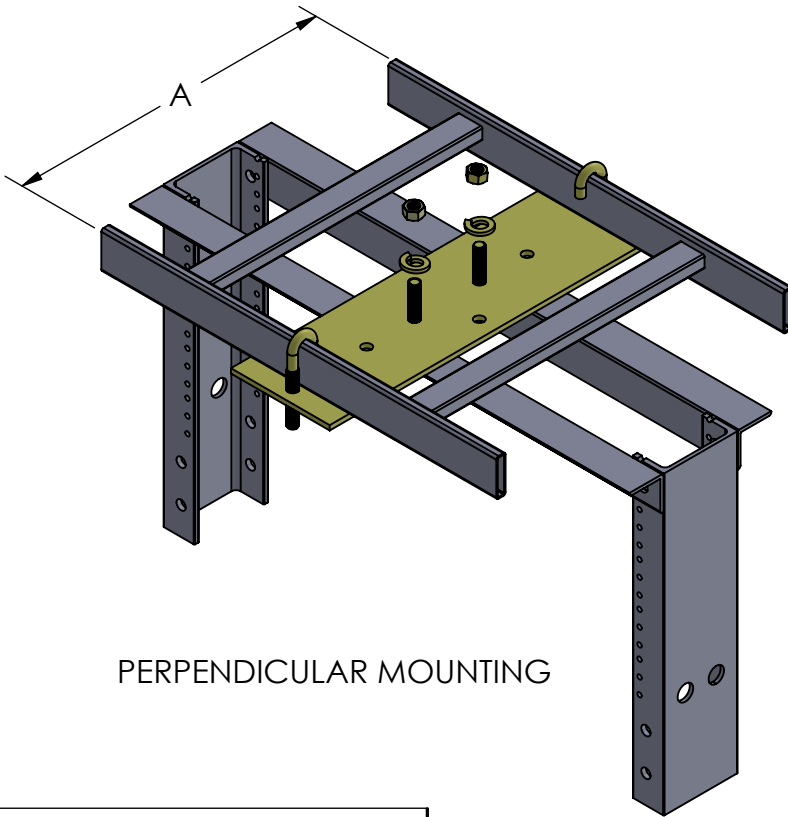
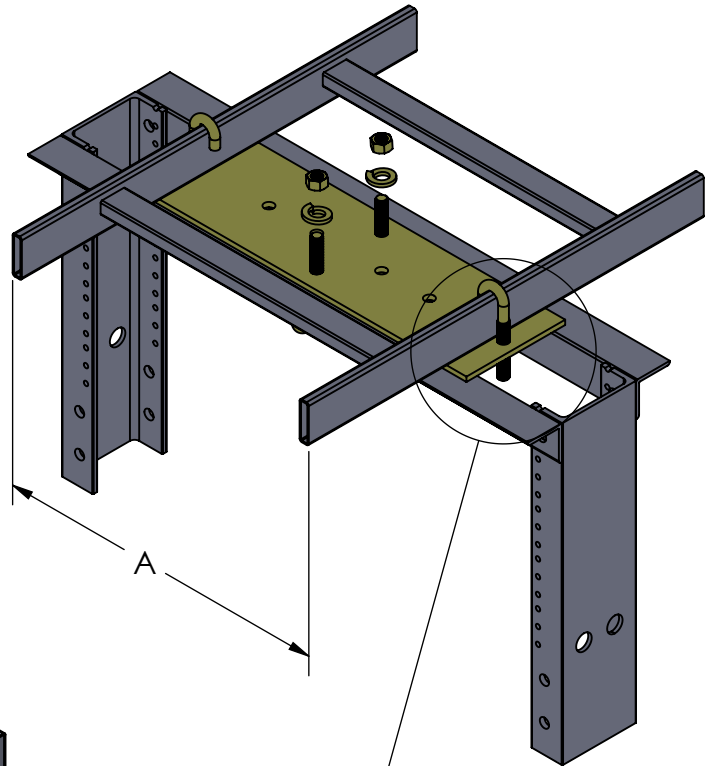
PRODUCT INFORMATION SHEET

RACK TO RUNWAY PLATE

The rack to runway plate is used to secure cable runway to the top of any 3" channel relay rack

1. Constructed of high strength steel plate
2. Components are RoHS compliant
3. Conforms to EIA-310-D Standard
4. Available in black
5. Available in 12" Wide
6. Configurable to runway direction

PARALLEL MOUNTING



PERPENDICULAR MOUNTING

Part Number

WL-RA123RP-BK

www.wavenetcable.com

Carson, CA.

1-888-492-8363