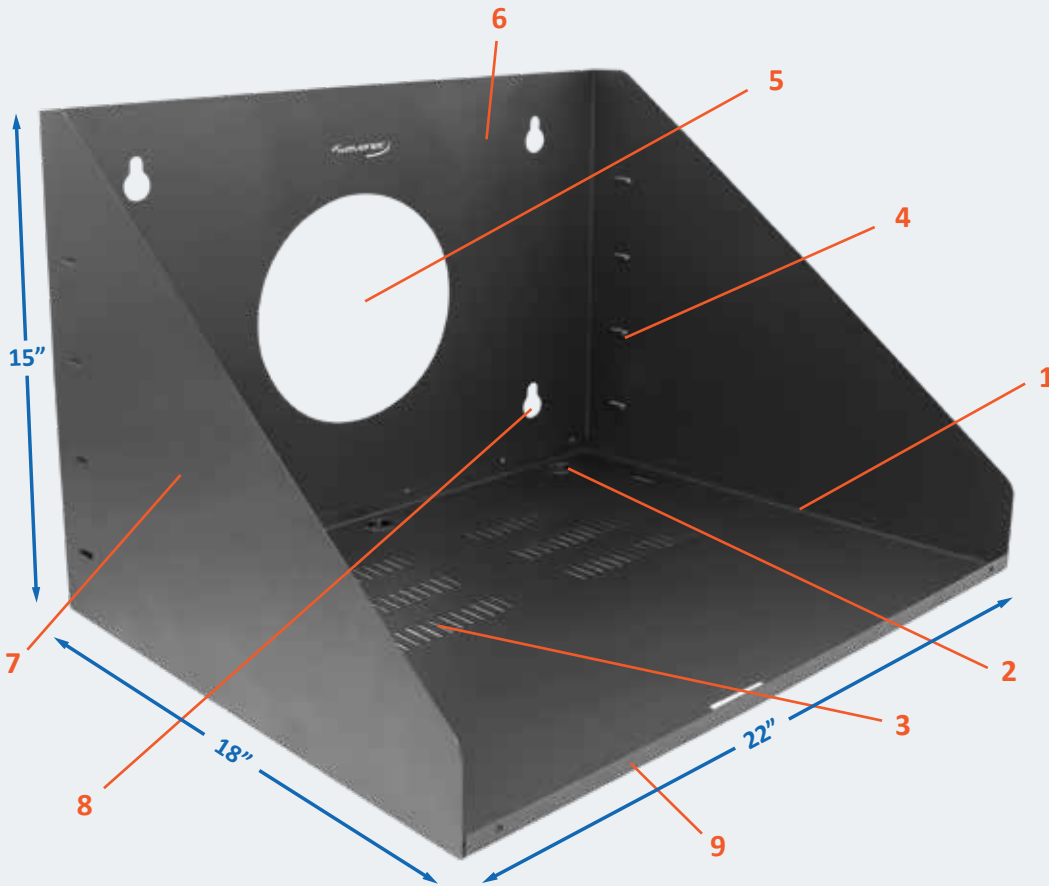


# WALL MOUNT SHELF

## PRODUCT GUIDE

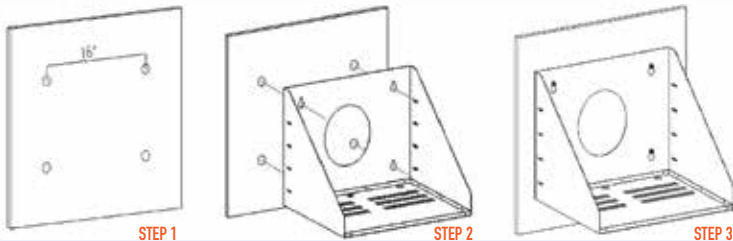


## KEY FEATURES

1. Fully welded and made from 16-gauge steel
2. Shelf bottom includes (3) 1" knockout
3. Vented bottom for air ventilation and dissipation of heat
4. Left and right side tie points to secure cables
5. Includes center opening and bottom knockouts
6. Alternative mounting solution to racks, cabinets and brackets
7. Can be used with various equipment within 18" deep by 22" wide
8. 16" on center between wood studs mounting
9. 140 weight capacity
10. Measures: 15.3" H x 22" W x 18.2" Depth



PART # : WMS-18-SW



STEP 1 : Use a level to mark locations or mounting holes.

STEP 2 : Fix the wall mount shelf on the wall by 4pcs M6 screws.

STEP 3 : Put equipment on the shelf.

## RELATED PRODUCTS



8U 18" DEPTH WALL MOUNT RACKS  
P/N. WMR-XX-SW [XX=8U / 15U / 30U]



DEPTHLESS VERTICAL & HORIZONTAL WALL BRACKET  
P/N. VWMB-4U-SW



HINGED BRACKET  
P/N. WMHB-XX [XX=1U / 2U / 3U / 4U]



WALL MOUNT CABINETS  
P/N. CBTF-WMXXX-SW [XXX=6U / 9U / 12U / 15U]