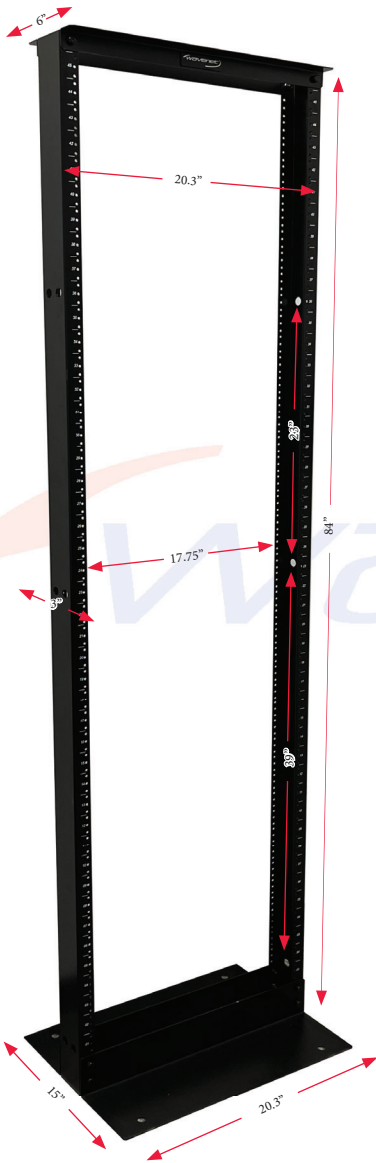


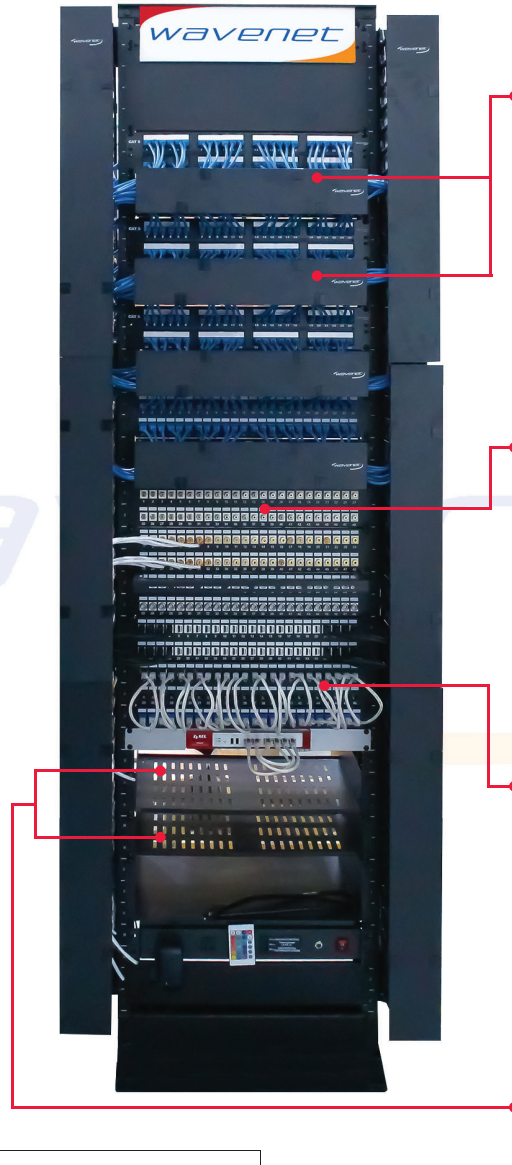
# 2-POST 45U RACK



## BEFORE



## AFTER



## RELATED PRODUCT



### HIGH-DENSITY SINGLE-SIDED HORIZONTAL CABLE MANAGERS

- PART NO. MDH-1U
- PART NO. MDH-2U
- PART NO. MDH-3U



### BLANK PATCH PANELS

- PART NO. BPPWM-24
- PART NO. BPPWM-48



### CAT6A 110-TYPE PATCH PANELS

- PART NO. 6APP24
- PART NO. 6A PP48



### 14" RACK SHELVES VENTED/SOLID BOTTOM

- PART NO. SHELF-14SSV-1U
- PART NO. SHELF-14SSS-1U

## PRODUCT SPECIFICATIONS

Part No.	H"	W"	Depth"	Overall Depth	RMU	Color	Weight	Material	Load Capacity
2POST-45U-SP	84"	20.3"	3"	15"	#12-24/45U	BLK	38LB	SPCC/Steel Frame	1000 LBS
2POST-45U	84"	20.3"	3"	15"	#12-24/45U	BLK	28LB	Aluminum	750 LBS

\*COMPLIANCE: ANSI/EIA RS310D



**CALIFORNIA  
CORPORATE  
WAREHOUSE**

Carson, CA 90745

**TEXAS  
WAREHOUSE**

The Colony, TX 75056

**NEW JERSEY  
WAREHOUSE**

Ridgefield, NJ 07657

TOLL FREE. 888.492.8363

2023 Wavenet, Incorporated. All rights reserved.

